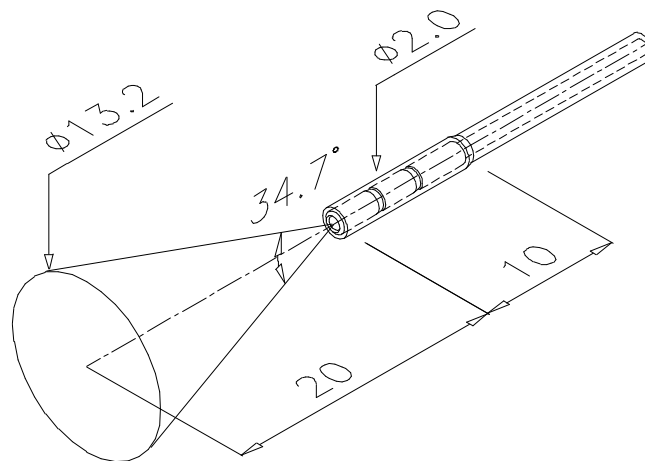


## Frontal light distributor, FD1



### DESCRIPTION

The frontal light distributor, FD1 produces a circular spot of light, with sharp edges and an outstanding homogeneity. These properties make it the ideal device for precise irradiation of a variety of organs treated with photodynamic therapy (PDT) in patients or animals (skin, head and neck, lungs, etc.). The uniform light pattern is also perfectly suited for illuminating cell cultures or to be used as a calibration source for light sensors.

Its particularly wide aperture angle is very useful when there is little space to irradiate the tumour. This is often the case when performing PDT endoscopically, for instance by treating bronchial spurs. The small overall diameter of 2 mm allows endoscopic use through the working channel of a standard fiberscope. The frontal light distributor, FD1 works with wavelengths ranging from 480 nm to 800 nm, making it suitable for a variety of photosensitisers.

The distributor is supplied sterile in peel-open package and is intended for single use only. Dispose of as biohazard with other medical waste.

**TECHNICAL DATA**  
(subject to change without notice)

<b>MECHANICAL DIMENSIONS (APPROXIMATE)</b>	<b>FD1</b>
OVERALL DIAMETER	2 mm
OVERALL LENGTH	4 m
<b>OPTICAL CHARACTERISTICS</b>	
TRANSMISSION (*)	> 85 %
FULL ANGLE OF DIVERGENCE	34.7°
BEAM DIAMETER	
at 0 mm DISTANCE:	0.6 mm
at 10 mm DISTANCE:	7.6 mm
at 20 mm DISTANCE:	13.2 mm
UNIFORMITY	± 15%
<b>LASER INPUT</b>	
MAXIMUM POWER (calibrated fiber output)	2.0 W (cw)
WAVELENGTH RANGE	480 – 800 nm
<b>OPTICAL FIBER</b>	
FIBER MATERIAL	SILICA, low OH <sup>-</sup>
CORE DIAMETER	600 µm
NUMERICAL APERTURE	0.37
MINIMUM BENDING RADIUS	94 mm
FIBER CONNECTOR	SMA905
<b>CONDITIONING</b>	
PACKAGING	SINGLE POUCH INDIVIDUAL BOX
STERILIZATION	STERILE / EtO
<b>USEFUL LIFE</b>	
REUSE	DISPOSABLE
SHELF LIFE	2 YEARS

(\*) Transmission is defined in comparison with a 5 meters / 600 microns / NA 0.37 silica bare fiber.