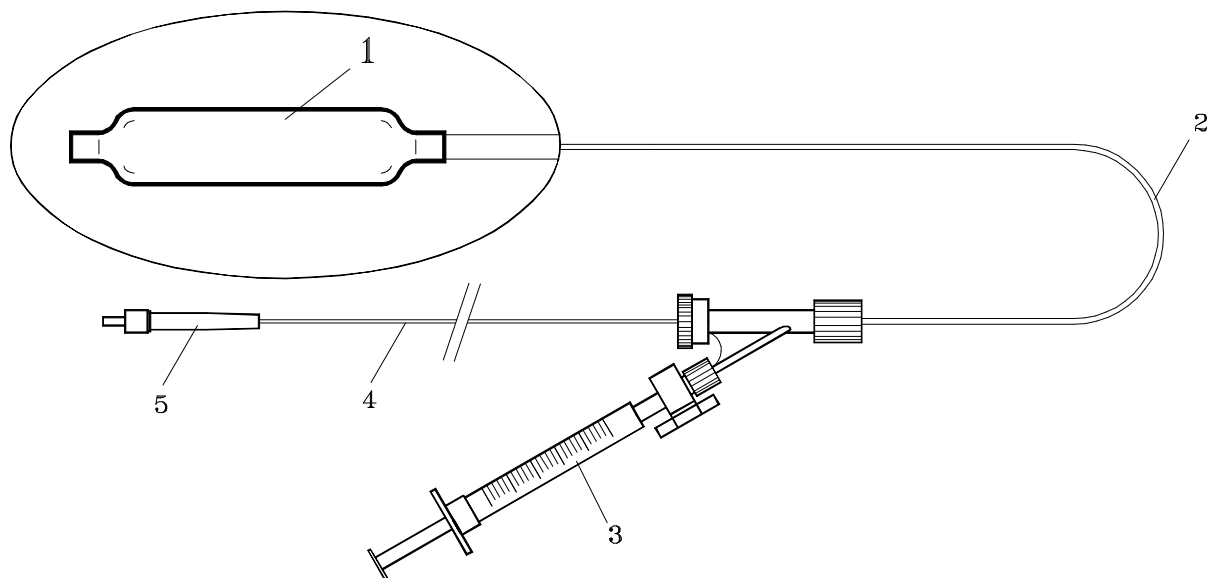


## Diffusing balloon catheter Model CDB

**CE 1253**

1. Cylindrical balloon
2. Catheter
3. Inflation syringe (saline) (not included)
4. Cylindrical diffuser, model RD (not included)
5. SMA connector of the cylindrical diffuser

### DESCRIPTION

The diffusing balloon catheter is a soft cylindrical balloon catheter with translucent diffusing walls. Used with a radial light diffuser, model RD, (not included), the diffusing balloon catheter, guarantees a homogeneous illumination of biological tissues in contact with the balloon walls. The compliant property of its walls allows the balloon to adapt its shape to the lumen geometry and consequently to obtain an accurate light dosimetry in hollow organs such as in ENT and gastroenterological endoscopic sites.

The small overall balloon diameter (when deflated) and high flexibility of the catheter allows endoscopic use through the working channel of standard endoscopes. Once in place, the balloon is inflated with saline and adapts its shape to the lumen

Different cylindrical diffusing balloon catheter models are proposed, with various dimensions of the illumination window. CDB-LB model is well suited in lung applications; CDB-OEB model is adapted to esophagus dimensions.

The balloon catheter is intended to be used together with *Medlight* cylindrical diffusing fiber, Model RD (to be purchased separately), with emitting length corresponding to the balloon illumination length.

The balloon diffuser works with wavelengths ranging from 400 nm to 700 nm, making it suitable for a large variety of photosensitizers. It must only be used with approved Photodynamic Therapy protocol.

The balloon diffuser is supplied sterile in peel-open package and is intended for single use only.

**TECHNICAL DATA**  
(subject to change without notice)

Model	Balloon		Catheter			Optical	
	Inflated diameter	Balloon length	Overall length	Internal diameter	Minimum accessory channel	Maximum input power (cw)	Transmission
	[mm]	[mm]	[m]	[mm]	[mm]	(*)	(**)
CDB-LB20	8	20	1	1.0	2.2	2.0 W	95%
CDB-OEB30	17	30	1.7	1.5	2.8	3.0 W	95%
CDB-OEB40	17	40	1.7	1.5	2.8	3.0 W	95%
CDB-OEB50	17	50	1.7	1.5	2.8	3.0 W	95%
CDB-OEB70	17	70	1.7	1.5	2.8	3.0 W	95%

(\*) Maximum input power specified with saline-inflated balloon only.

(\*\*) Transmission of saline-inflated balloon catheter only, not including optical fiber insertion and transmission loss.